

# Innovative lightweight single-use valves for direct attachment to OPUS® Pre-packed Columns

Data Sheet

Traditional stainless steel valves are too heavy for direct attachment to chromatography columns as they increase the risk of damage to the inlet and outlet ports. The tubing required to make that connection also increases hold-up volume. In addition, stainless steel valves require sterilization or are discarded, increasing waste, effort and cost.

Repligen ProConnex® Valves, powered by innovative Artesyn® Technology, enhance the usability and efficiency of OPUS® Pre-packed Chromatography Columns. Lightweight polymer construction enables direct attachment to both the inlet and outlet ports. This reduces both the risk of column damage and the need for tubing, creating a simplified setup for the manufacturing environment.

The gamma-irradiated single-use contact layer eliminates the need for valve cleaning and ensures functional reliability of critical valves.

This intuitive, easy to use flow control solution creates an airtight chromatography process with simpler operation.



## Benefits of ProConnex® Valves

- Lightweight polymer valve connects directly to column
- Easy to use with clear open/close indication
- 3-port valve with inlet, outlet, and bypass port
- Smooth, airtight flow control with no dead leg
- Simple install with no additional gaskets needed

RE\_0146\_0069\_23FEB2024

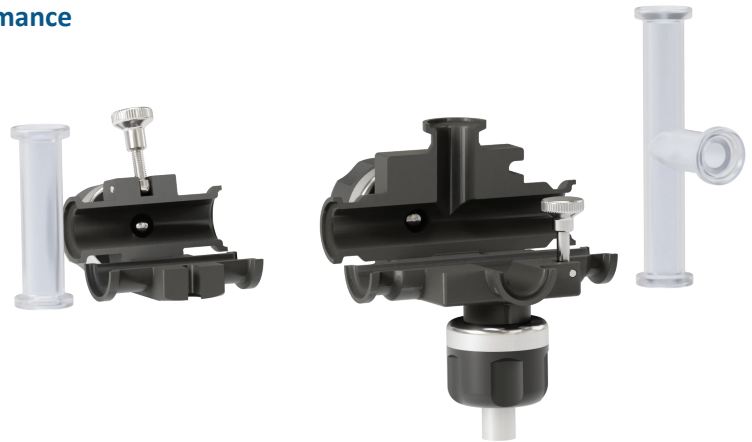
[repligen.com](https://repligen.com)

© 2024 Repligen Corporation. All rights reserved. The trademarks mentioned herein are the property of Repligen Corporation and/or its affiliate(s) or their respective owners.

 **REPLIGEN**

**Innovative single-use valve design for superior performance**

- Multi-use body with single-use liner
- 2-port and 3-port options
- Valve bodies accept multiple liner sizes
- Gamma irradiated liners available
- Exchange liners between run or campaigns



**OPUS Column Combined with ProConnex 2-way & 3-way DRV Shutoff Valves**

Column Size	10 cm	12.6 cm	14 cm	20 cm	25 cm	30 cm	36 cm	45 cm	60 cm	80 cm
Inlet Diameter	0.25 in (6.35 mm)				0.375 in (9.53 mm)		0.43 in (10.88 mm)		0.75 in (19.05 mm)	
Clamp (TC) Size	Mini TC (25 mm Dia)								1" TC (50.4 mm Dia)	
2-way Valve Part #	DRVPAB16					DRVPAL16			DRVPAF16	
2-way Liner Part #	DRVABS				DRVACS		DRVADS		DRVALS	DRVAFS
3-way Valve Part #	SAPABABAB16				SAPACACAC16		SAPALALAL16		SAPAFAFAF16	
3-way Liner Part #	T1ABABS				T1ACACS		T1ALALS		T1AFAFS	
Valve Connection Size	0.25" ID & Mini TC (25 mm Dia)				0.375" ID & Mini TC (25 mm Dia)		0.500" ID & Mini TC (25 mm Dia)		0.750" ID & 1" TC (50.4 mm Dia)	

**United States**

Repligen Corporation  
41 Seyon Street  
Waltham, MA, USA 02453

[customerserviceUS@repligen.com](mailto:customerserviceUS@repligen.com)

(781) 250-0111

**Europe**

Repligen Corporation  
P.O. Box 3262  
4800 DG, Breda, The Netherlands

[customerserviceEU@repligen.com](mailto:customerserviceEU@repligen.com)

+31 (0) 76 5719 419

RE\_0146\_0069\_23FEB2024