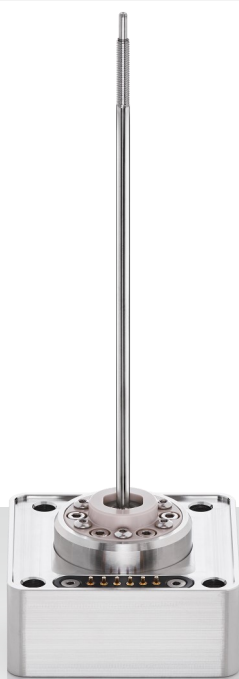


# CTech™ FlowVPX® Stainless Steel Flow Cells

## Product Specifications

Specification  
Sheet

**Part ID:** OC2002-2 (3 mm)  
OC2001 (10 mm)  
OC2004 (22 mm)  
OC2017 (1.5 in)



OC2002-2  
(3 mm)



OC2004  
(22 mm)

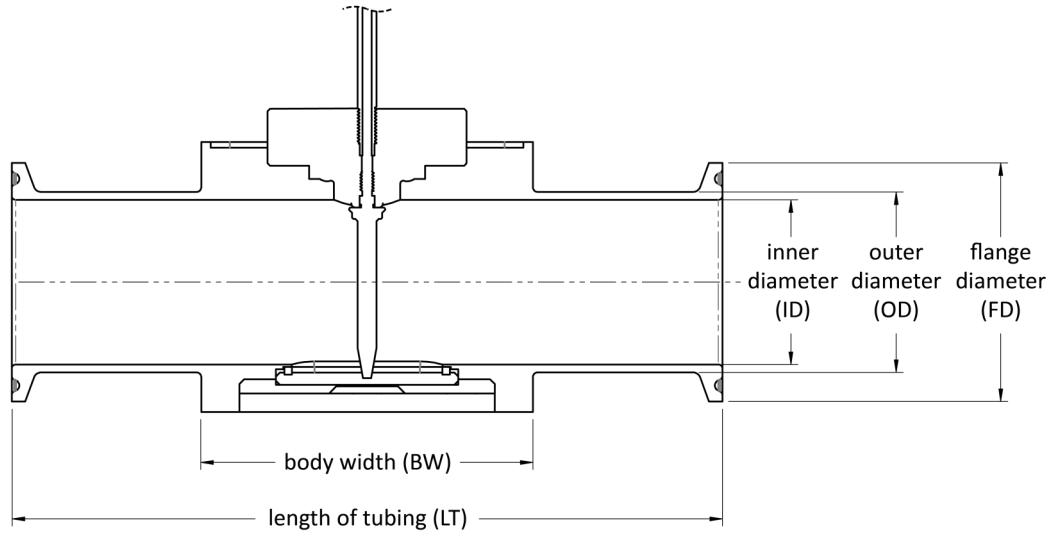
## Overview

Engineered for rigorous bioprocessing environments, the CTech™ FlowVPX® Stainless Steel Flow Cells were developed to provide an in-line measurement solution compatible with the CTech FlowVPX System. This variable pathlength technology unlocks the power of Slope Spectroscopy® measurement methods for highly regulated drug manufacturing processes. The Flow Cell is modular and mates directly with the FlowVPX Head and Detector. It was designed with a precision EPDM diaphragm seal, which forms a barrier around the integrated Flow Fibrette® and ensures a contained process-measurement area.

Additionally, Flow Cells are equipped with Smart Cell technology, which communicates with the FlowVPX Head and provides valuable information for traceability. The entire design, with special attention given to each process-contact component, has been specified for compliance with applicable industry standards, including ASME Bioprocessing Equipment Standard and USP Class IV. The robust unibody construction with industry-standard tri-clamp connections allows for easy integration into most production environments.

For more information about the FlowVPX Stainless Steel Flow Cells or the FlowVPX variable pathlength solution, contact a Repligen Analytics representative.

Part No.	OC2002-2	OC2001	OC2004	OC2017
<b>General</b>				
Flow Path Diameter	3.0 mm	9.4 mm	22.1 mm	1.37 in
Overall Dimensions	70.0 x 70.0 x 199 mm (2.76 x 2.76 x 7.82 in)	120 x 70 x 200 mm (4.72 x 2.76 x 7.89 in)	120 x 70 x 211 mm (4.72 x 2.75 x 8.3 in)	150.0 x 70.0 x 224.3 mm (5.90 x 2.76 x 8.83 in)
Weight	1.1 kg (2.5 lb)	1.0 kg (2.3 lb)	1.4 kg (3.0 lb)	1.7 kg (3.7 lb)
Flow Path Connections	1/4"-28 Internal Threading	3/4" Tri-Clamp	1" Tri-Clamp Type B	1.5" Tri-Clamp
Software Requirement	ViPER v1.0.55	ViPER v1.0.05	ViPER v1.0.104	ViPER v1.1.180
Hardware Compatibility	CTech FlowVPX Instrument			
<b>Performance</b>				
Maximum Pathlength	3.000 mm	5.000 mm	5.000 mm	5.000 mm
Maximum Flow Rate	1.5 LPM	20 LPM	160 LPM	225 LPM
Maximum Hold-up Volume	0.9 mL	9.0 mL	47 mL	144 mL
Maximum Pressure	5.5 bar (80 psi)			6.2 bar (90 psi)
Operating Temperature	1–49°C (33–120°F)			0–48°C (32–118°F)
Integrated Memory	SmartCell Technology enables electronic reading of Flow Cell serial number			
<b>Environmental</b>				
Process Contact Materials	316L Stainless Steel Body and Integrated Flow Fibrette EPDM Diaphragm Seal		UV Grade Fused Silica Window Medical Grade Epoxy	
Autoclave Max Temperature	121°C (250°F)			
Thermal Cycling	Rated for three cycles from maximum autoclave temperature to minimum operating temperature			
Storage Conditions	5–25°C (41–77°F), 8%–75% RH. Store in original packaging away from ozone-producing devices.			
Shelf Life	Two years from assembled date when kept in proper storage conditions			
<b>Further Details</b>				
More information:	<p>Final application suitability of all materials and ratings are the sole responsibility of the user. Specified pressure and temperature ratings may be subject to limitations. Contact a Repligen Analytical Representative for more information.</p> <p>Repligen Corporation and/or its affiliates, to the extent allowed by law, disclaims, and in no event shall be liable for, any incidental or consequential damages in connection with user, instrument, or system performance in relation to all content contained in this document, including but not limited to fitness for location of use, specific purpose for use, or application. Information, descriptions, and specifications in this publication are subject to change without notice.</p>			



Flow Cell Dimensions					
Part No.	Body Width	Length of Tubing	Inner Diameter	Outer Diameter	Flange Diameter
OC2002	70 mm (2.8 in)	N/A	3.0 mm (0.12 in)	N/A	N/A
OC2001	70 mm (2.8 in)	120 mm (4.7 in)	9.5 mm (0.37 in)	19.1 mm (0.75 in)	25.4 mm (1.00 in)
OC2004	70 mm (2.8 in)	120 mm (4.7 in)	22.1 mm (0.87 in)	25.4 mm (1.00 in)	50.8 mm (2.00 in)
OC2017	70 mm (2.8 in)	150 mm (5.9 in)	34.8 mm (1.37 in)	38.1 mm (1.50 in)	50.8 mm (2.00 in)

**Contact**

Repligen Corporation  
 685 Route 202/206  
 Bridgewater, NJ, USA 08807  
 analytics-support@repligen.com  
 (908) 707-1009